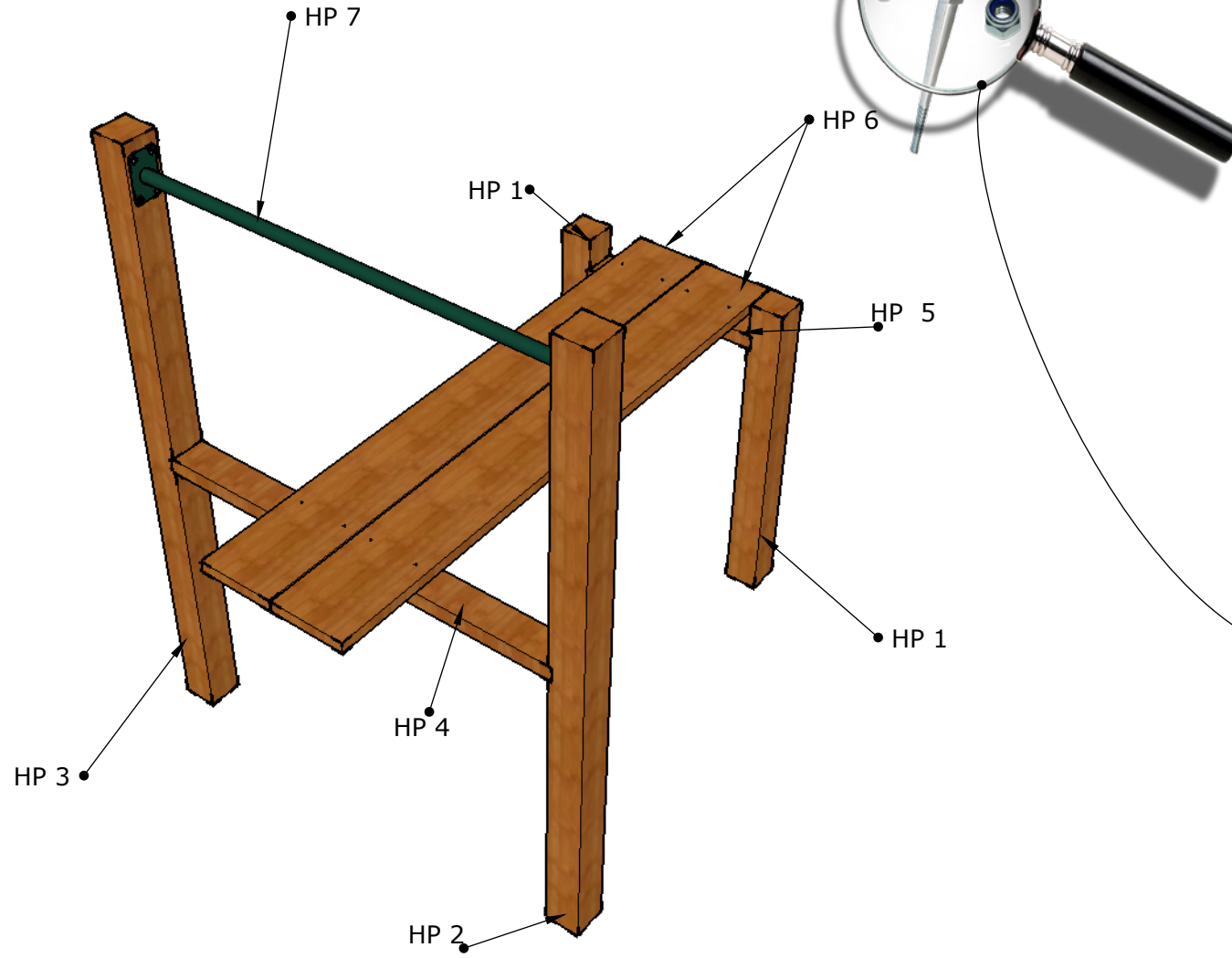


**Warning:**

This drawing is the property of T&B Log Homes and may not be copied, issued or used for any purpose other than what it has been issued for without the consent of T&B Log Homes.

**Please Note:**

All dimensions and levels to be verified on site prior to commencing of work. Only figured dimensions to be used, drawings are not to be scaled.



NO	Description	QTY
HP1	100 x 100 x 1000	2
HP2	100 x 100 x 1800	1
HP3	100 x 100 x 1800	1
HP4	44 x 100 x 1214	1
HP5	44 x 100 x 566	1
HP6	32 X 220 X 1800	2
HP7	32 X 1200	1
<b>Hardware</b>		
	Cuphead Bolts 10 x 90	8
	Nyloc Nuts M10	8
	Washers M10	8
	Timberfix Screw 6 x 150	8
	Coach Screws 8 x 75mm	8



## HORIZONTAL PULL UPS STATION