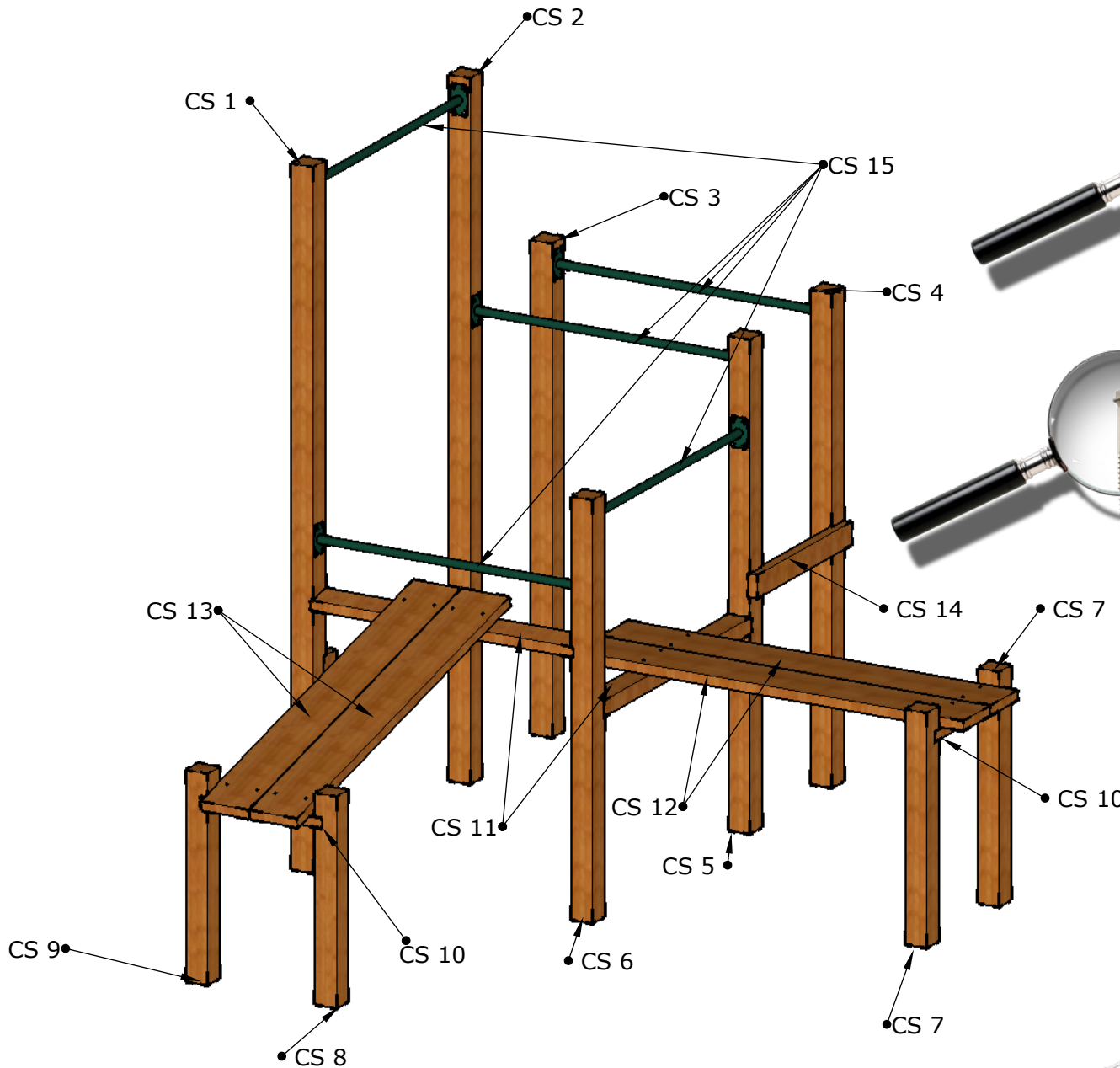


**Warning:**

This drawing is the property of T&B Log Homes and may not be copied, issued or used for any purpose other than what it has been issued for without the consent of T&B Log Homes.

**Please Note:**

All dimensions and levels to be verified on site prior to commencing of work. Only figured dimensions to be used, drawings are not to be scaled.



NO	Description	QTY
CS1	100 x 100 x 3000	1
CS2	100 x 100 x 3000	1
CS3	100 x 100 x 2100	1
CS4	100 x 100 x 2100	1
CS5	100 x 100 x 2100	1
CS6	100 x 100 x 1800	1
CS7	100 x 100 x 1000	2
CS8	100 x 100 x 900	1
CS9	100 x 100 x 900	1
CS10	44 x 100 x 566	2
CS11	44 x 100 x 1215	2
CS12	32 X 220 X 1800	2
CS13	32 X 220 X 1800	2
CS14	44 x 100 x 774	1
CS15	32 X 1200	5
<b>Hardware</b>		
	Timberfix Screw 6 x 90	4
	Timberfix Screw 6 x 150	16
	Cuphead Bolts 10 x 90	16
	Nyloc Nuts M10	16
	Washers M10	16
	Coach Screws 8 x 75mm	40

## COMBINATION STATION