



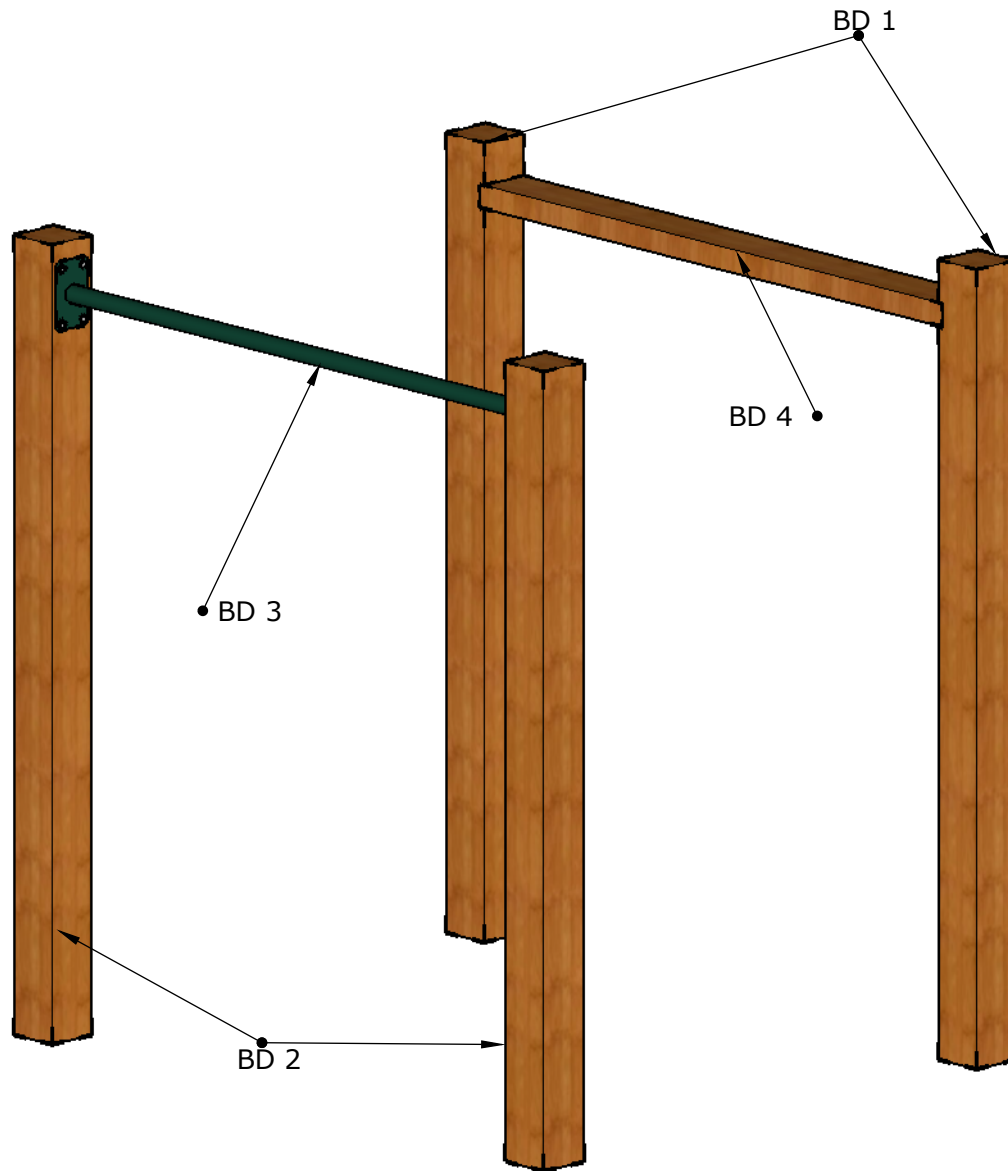
TUDOR VILLAGE, VIGILANCE DRIVE, KNYSNA  
P.O. BOX 1365, KNYSNA 6570  
TEL: (044) 302 4500 FAX: (044) 382 5424  
<http://www.timberloghomes.co.za>

**Warning:**

This drawing is the property of T&B Log Homes and may not be copied, issued or used for any purpose other than what it has been issued for without the consent of T&B Log Homes.

**Please Note:**

All dimensions and levels to be verified on site prior to commencing of work. Only figured dimensions to be used, drawings are not to be scaled.



NO	Description	QTY
BD1	100 X 100 X 1500	2
BD2	100 X 100 X 1500	2
BD3	32 X 1200	1
BD4	44 X 100 X 1215	1
		1
<b>Hardware</b>		
	Spax Screw 6 x 80mm	6
	Coach Screws 8 x 75mm	8



# BODY DIPS STATION